

Emparro Power Supply 3-PHASE

IN: 360 - 500VAC OUT: 24-28V/20ADC

INPUT: 3× 324...572 V AC / 450...745 V DC

OUTPUT: 24...28 V DC

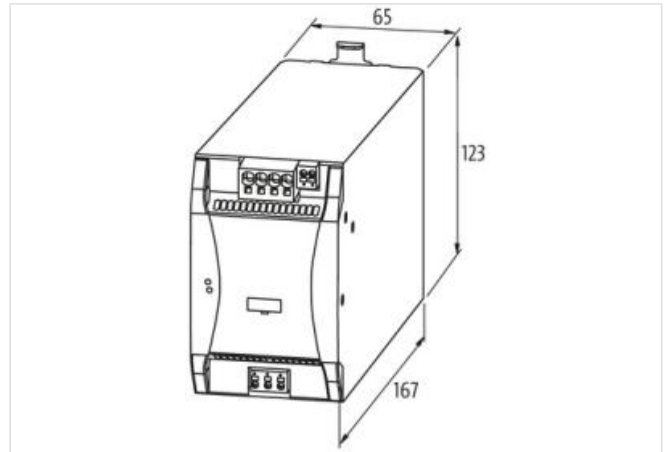
Current: 20 A

[Link to Product](#)

Illustration



Product may differ from Image



Commercial data

ECLASS-6.0	27049002
ECLASS-6.1	27049002
ECLASS-7.0	27049002
ECLASS-8.0	27049002
ECLASS-9.0	27040701
ECLASS-10.1	27040701
ECLASS-11.1	27040701
ECLASS-12.0	27040701
ETIM-5.0	EC002540
customs tariff number	85044095
GTIN	4048879538633
Packaging unit	1

Electrical data

Number of devices parallel connection max.	3
Number of devices series connection max.	3
Parallel connection	yes
Series connection	yes
Security level	SELV

Electrical data | Supply

Power frequency	50 ... 60 Hz
-----------------	--------------

Electrical data | Input

Fuse protection primary side internal	6,3 A
Characteristic back-up fuse	Inertia
Input voltage 1 AC	360 V
Input voltage 2 AC	500 V
Input voltage AC min.	324 V
Input voltage AC max.	572 V
Input voltage DC min.	450 V
Input voltage DC max.	745 V
Input current at input voltage 1 AC	1,3 A
Input current at input voltage 2 AC	1 A
Inrush current max.	13 A @ 500 V
Phase number input	3
Efficiency	94,8 % @ 3× 400 V AC, 94,5 % @ 3× 480 V AC

Electrical data | Output

Output voltage DC	24 V
Output voltage DC min.	24 V
Output voltage DC max.	28 V
Output voltage adjustable	yes
Output current	24 A
Duration Power Boost min.	5 s
Min. mains failure bridging	40 ms @ 3× 500 V AC
Power Boost	150 %
Ripple effective max.	20 mV
Spikes (s-s) max.	90 mV

Device protection | Electrical

Degree of protection (EN IEC 60529)	IP20
Short-circuit protection output	yes
Overload protection output	yes

Mechanical data | Mounting data

Mounting method	geschnappt
Suitable for mounting type	Mounting rail TH35, (EN 60715)
Height	143 mm
Width	65 mm
Depth	167 mm

Environmental characteristics | Climatic

Operating temperature min.	-40 °C
Operating temperature max.	70 °C
Derating from	45 °C
Storage temperature min.	-40 °C
Storage temperature max.	85 °C
Relative humidity min. (operation)	5 %
Relative humidity max. (operation)	95 % no condensation

Conformities, approvals

Product standard	IEC 61010-2-201
SEMI F47	compliant
EMC	EN 55011 B, EN 61000-3-2
Low Voltage Directive	EN 61204-3

Connection type 3

Connection type 1	Alarm
Connection type 2	Input
Connection type 3	Input / Output
Connection	Spring clamp terminals FK

Family construction form	terminal
Gender	female
Color contact carrier	green
No. of poles	2
PIN 1	13
PIN 2	14
Connection	Spring clamp terminals FK
Family construction form	terminal
Gender	female
Color contact carrier	green
No. of poles	4
PIN 1	PE
PIN 2	L 1
PIN 3	L 2
PIN 4	L 3
Connection	Spring clamp terminals FK
Family construction form	terminal
Gender	female
Color contact carrier	green
No. of poles	4
PIN 1	-
PIN 2	-
PIN 3	+
PIN 4	+