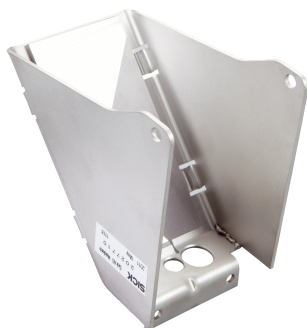


USP-DME5

SICK
Sensor Intelligence.



Ordering information

Type	Part no.
USP-DME5	2027710

Other models and accessories → www.sick.com/

Detailed technical data

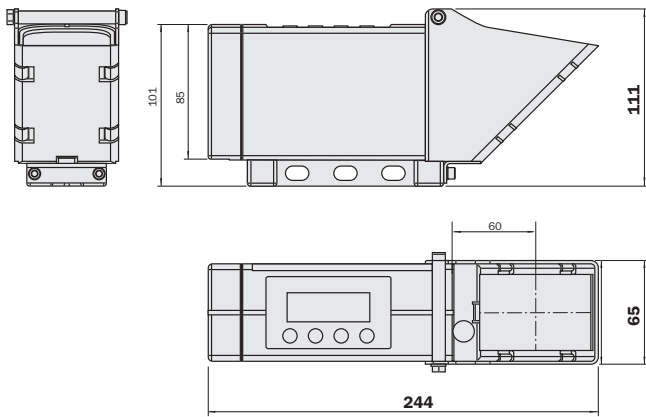
Technical specifications

Accessory group	Deflector mirrors
Description	Corner mirror, deflection of light emission upward, material: stainless steel, additional base plate mounting kit required

Classifications

ECl@ss 5.0	27279207
ECl@ss 5.1.4	27279207
ECl@ss 6.0	27279207
ECl@ss 6.2	27279207
ECl@ss 7.0	27279207
ECl@ss 8.0	27279207
ECl@ss 8.1	27279207
ECl@ss 9.0	27273605
ECl@ss 10.0	27273605
ECl@ss 11.0	27273605
ECl@ss 12.0	27273605
ETIM 5.0	EC002467
ETIM 6.0	EC002467
ETIM 7.0	EC002467
ETIM 8.0	EC002467
UNSPSC 16.0901	39111827

Dimensional drawing (Dimensions in mm (inch))



SICK AT A GLANCE

SICK is one of the leading manufacturers of intelligent sensors and sensor solutions for industrial applications. A unique range of products and services creates the perfect basis for controlling processes securely and efficiently, protecting individuals from accidents and preventing damage to the environment.

We have extensive experience in a wide range of industries and understand their processes and requirements. With intelligent sensors, we can deliver exactly what our customers need. In application centers in Europe, Asia and North America, system solutions are tested and optimized in accordance with customer specifications. All this makes us a reliable supplier and development partner.

Comprehensive services complete our offering: SICK LifeTime Services provide support throughout the machine life cycle and ensure safety and productivity.

For us, that is “Sensor Intelligence.”

WORLDWIDE PRESENCE:

Contacts and other locations –www.sick.com