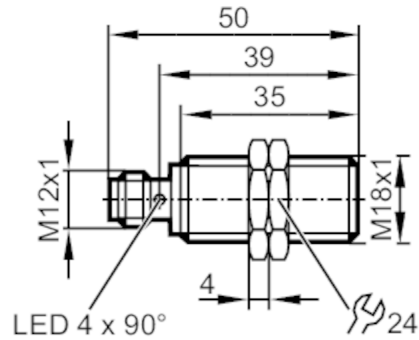


IG5497



Inductive sensor

IGB3005-APKG/US-104



Product characteristics

Electrical design		PNP
Output function		normally closed
Sensing range	[mm]	5
Housing		threaded type
Dimensions	[mm]	M18 x 1 / L = 50

Application

Special feature		Gold-plated contacts
-----------------	--	----------------------

Electrical data

Operating voltage	[V]	10...30 DC
Current consumption	[mA]	< 10
Protection class		II
Reverse polarity protection		yes

Outputs

Electrical design		PNP
Output function		normally closed
Max. voltage drop switching output DC	[V]	2.5
Permanent current rating of switching output DC	[mA]	100
Switching frequency DC	[Hz]	500
Short-circuit protection		yes
Overload protection		yes

Detection zone

Sensing range	[mm]	5
Real sensing range S_r	[mm]	$5 \pm 10\%$
Operating distance	[mm]	0...4.05

Accuracy / deviations

Correction factor		steel: 1 / stainless steel: 0.7 / brass: 0.5 / aluminium: 0.4 / copper: 0.3
Hysteresis	[% of S_r]	3...15
Switch point drift	[% of S_r]	-10...10

IG5497



Inductive sensor

IGB3005-APKG/US-104

Operating conditions

Ambient temperature	[°C]	-25...80
Protection		IP 67

Tests / approvals

EMC	EN 60947-5-2	
	EN 55011	class B
MTTF	[years]	1134
Embedded software included		no

Mechanical data

Weight	[g]	44.6
Housing		threaded type
Mounting		flush mountable
Dimensions	[mm]	M18 x 1 / L = 50
Thread designation		M18 x 1
Materials		housing: brass white bronze coated; sensing face: PBT orange; LED window: PEI; lock nuts: brass white bronze coated

Displays / operating elements

Display	switching status	4 x 90° LED, yellow
---------	------------------	---------------------

Accessories

Items supplied		lock nuts: 2
----------------	--	--------------

Remarks

Pack quantity		1 pcs.
---------------	--	--------

Electrical connection - plug

Connector: 1 x M12; coding: A; Contacts: gold-plated



Connection

