



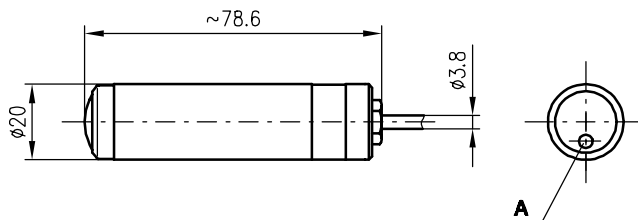
LS 74/LS 91

Throughbeam photoelectric sensors

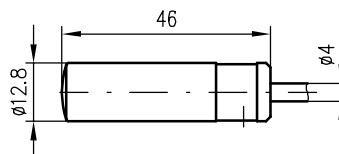


Dimensioned drawing

LS 74



LS 91



A Indicator diode only at receiver

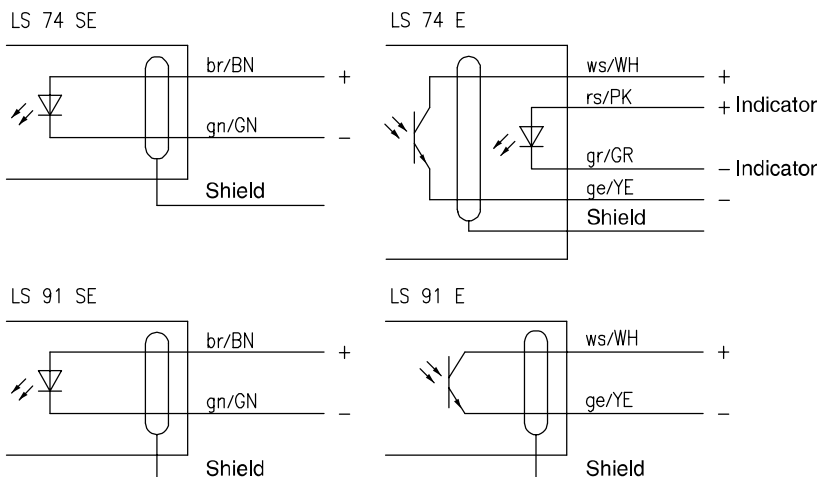


5m  
2m



- Scratch resistant glass cover
- High insensitivity towards soiling
- Convex optics
- Through selection of appropriate amplifiers optimally adaptable to applications
- Indicator diode as alignment aid and function indicator

Electrical connection



We reserve the right to make changes • MS\_a08e.fm



Accessories:

(available separately)

- Mounting systems
  - BT 01 (Part No. 500 03371)
  - BT 91 (Part No. 500 09420)
- Amplifier for mini photoelectric sensors, e.g.
  - VS 9/1 (Part No. 500 00632, page 659)
  - IVS 9/4,8 (Part No. 500 12303, page 663)
  - VS 27/24 (Part No. 500 82005, page 675)
  - IVS 28/44,8 (Part No. 500 19808, page 677)



## Specifications

	LS 74	LS 91
<b>Optical data</b>		
Operating range <sup>1)</sup>	0 ... 5m	0 ... 2m
Light source	LED (modulated light)	
Wavelength	880nm	
<b>Electrical data</b>		
Transmitter	GaAs	
Transmitting current	max. 200mA at D=0.05	
Receiver	Si phototransistor	
Inverse voltage U <sub>CEO</sub>	max. 35VDC	
<b>Indicators</b>		
LED red (receiver)	light path free	
<b>Mechanical data</b>		
Housing	aluminium red anodised	epoxy powder coating
Optics	glass	
Weight	approx. 180g	approx. 120g
Cable length	2000mm	
Cable cross-section	2x0.14mm <sup>2</sup> +shield 4x0.14mm <sup>2</sup> +shield (only for receiver LS 74)	
<b>Environmental data</b>		
Ambient temp. (operation/storage)	-20°C ... +60°C/-30°C ... +70°C	
Protection class	IP 65	

1) The operating range of the throughbeam photoelectric sensors depends on the amplifier and diaphragm selections

## Tables

## Diagrams

## Order guide

	Designation	Part No.
Transmitter and receiver	LS 74	
Transmitter	LS 74 Se,6000	500 00224
Receiver	LS 74 E,6000	500 00225
Transmitter and receiver	LS 91	
Transmitter	LS 91 Se,4000	500 00262
Receiver	LS 91 E,4000	500 00263

## Remarks

- If a cable lengthening should be necessary, make sure that the shield is lead continuously.