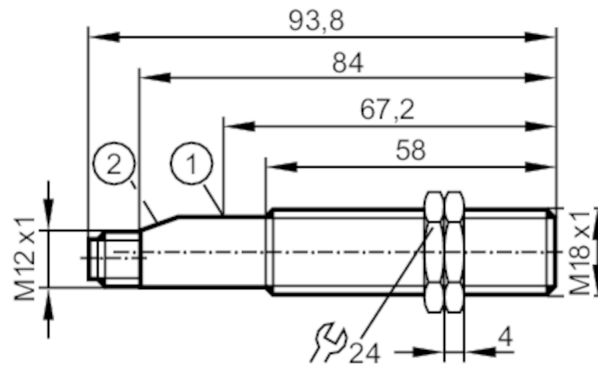


KG5057



Capacitive sensor

KG-3008-BPKG/NI/US



- 1 potentiometer
- 2 LED



Product characteristics

Electrical design	PNP
Output function	normally open
Sensing range [mm]	8
Housing	threaded type
Dimensions [mm]	M18 x 1 / L = 93.8

Electrical data

Operating voltage [V]	10...36 DC
Current consumption [mA]	< 10 (24 V DC) / < 15 (36 V DC)
Protection class	II
Reverse polarity protection	yes

Outputs

Electrical design	PNP
Output function	normally open
Max. voltage drop switching output DC [V]	2.5
Permanent current rating of switching output DC [mA]	250
Switching frequency DC [Hz]	50
Short-circuit proof	yes
Overload protection	yes

Detection zone

Sensing range [mm]	8
Sensing range adjustable	yes
Factory setting sensing range [mm]	8
Real sensing range S_r [mm]	$8 \pm 10 \%$
Operating distance [mm]	0...6.5

Accuracy / deviations

Correction factor	glass: 0.4 / water: 1 / ceramics: 0.2 / PVC: 0.2
-------------------	--

KG5057



Capacitive sensor

KG-3008-BPKG/NI/US

Hysteresis	[% of Sr]	1...15
Switch point drift	[% of Sr]	-15...15

Operating conditions

Ambient temperature	[°C]	-25...80
Protection		IP 67
Increased immunity		yes

Tests / approvals

EMC		EN 60947-5-2
MTTF	[years]	647

Mechanical data

Weight	[g]	29.4
Housing		threaded type
Mounting		non-flush mountable
Dimensions	[mm]	M18 x 1 / L = 93.8
Thread designation		M18 x 1
Materials		PBT

Displays / operating elements

Display	switching status	1 x LED, yellow
---------	------------------	-----------------

Accessories

Items supplied		lock nuts: 2
----------------	--	--------------

Remarks

Pack quantity		1 pcs.
---------------	--	--------

Electrical connection - plug

Connector: 1 x M12; coding: A



Connection

